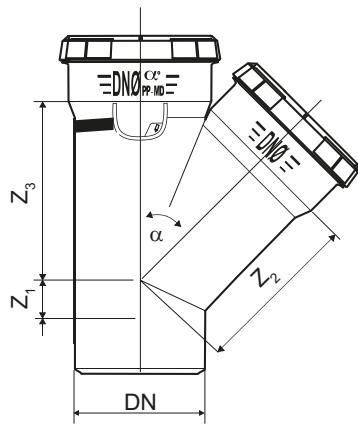




Referencia	Medidas	Características	u./caja
338871079	40-40	VTR04004045P	20
338871082	50-40	VTR05004045P	20
338871085	50-50	VTR05005045P	20
338871088	75-40	VTR07504045P	10
338871091	75-50	VTR07505045P	10
338871094	75-75	VTR07507545P	10
338871097	90-40	VTR09004045P	15
338871099	90-50	VTR09005045P	15
338871102	90-75	VTR09007545P	15
338871103	90-90	VTR09009045P	15
338871106	110-40	VTR11004045P	6
338871108	110-50	VTR11005045P	6
338871111	110-75	VTR11007545P	8
338871114	110-90	VTR11009045P	8
338871116	110-110	VTR11011045P	7
338871119	125-125	VTR12512545P	5
338871121	160-160	VTR16016045P	2
338871124	125-110	VTR12511045AD	6
338871126	160-110	VTR16011090AD	2
338871199	200/200	VTR20020045D	1

## Cotas

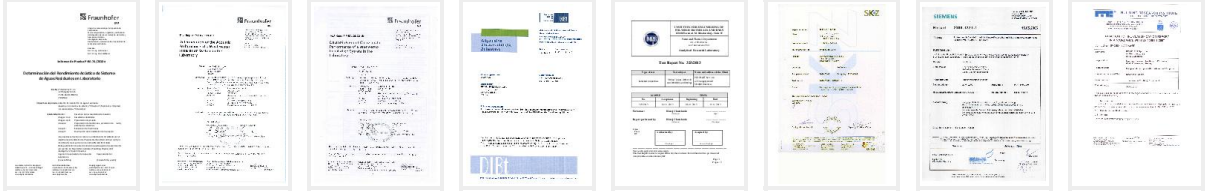


Referencia	DN mm	Z1 mm	Z2 mm	Z3 mm
338871079	40/40	15	54	54
338871082	50/40	13	61	58
338871085	50/50	17	67	67
338871088	75/40	3	78	71
338871091	75/50	1	83	81
338871094	75/75	23	96	97
338871097	90/40	12	88	83
338871099	90/50	2	94	89
338871102	90/75	16	106	106
338871103	90/90	24	116	116
338871106	110/40	19	100	90
338871108	110/50	13	108	100
338871111	110/75	4	120	118
338871114	110/90	12	129	128
338871116	110/110	29	140	140
338871119	125/125	30	162	162
338871121	160/160	45	208	208
338871124	125/110	23	162	162
338871126	160/110	5	184	190
338871199	-	-	-	-

## Documentación



## Certificados



## Videos



## Tarifas

